



Description

The PT7745 is a 20 Amp "Current Booster" for the PT7711 housed in the same 27-pin SIP package.

Multiple PT7745 boosters will operate in parallel with one PT7711 product, boosting output current in increments of 20A. Combinations of a PT7711 regulator and PT7745 current boosters can supply power for virtually any multiple mega-processor application.

A PT7745 current booster adds a

parallel output stage that is driven directly by the regulator. This allows the system to run in perfect synchronization to provide a low noise solution.

The PT7745 only operates in combination with a PT7711 series regulator, and is not a stand-alone product. Please refer to the PT7711 data sheet for the performance specifications.

The booster uses the same 27-pin case and has the same package options as its companion regulator.

Pin-Out Information

Pin	Function	Pin	Function
1	Do not connect	14	GND
2	Do not connect	15	GND
3	Do not connect	16	GND
4	Do not connect	17	GND
5	Do not connect	18	GND
6	Do not connect	19	GND
7	V _{in}	20	V _{out}
8	V _{in}	21	V _{out}
9	V _{in}	22	V _{out}
10	V _{in}	23	V _{out}
11	V _{in}	24	V _{out}
12	Do not connect	25	V _{out}
13	GND	26	Do not connect
		27	Master Sync In

Ordering Information

PT7745□

(For dimensions and PC Board layout, see Package Styles 1420 and 1430.)

PT Series Suffix (PT1234X)

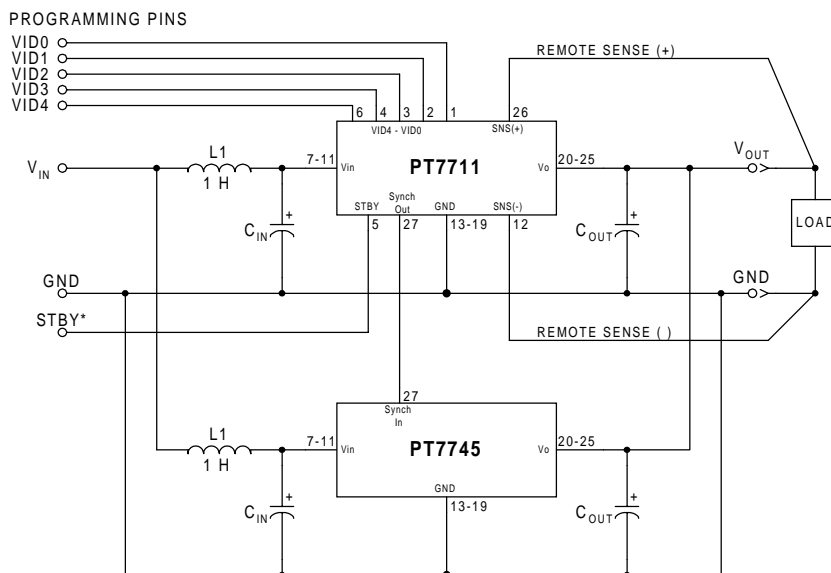
Case/Pin Configuration

Vertical Through-Hole	N
Horizontal Through-Hole	A
Horizontal Surface Mount	C

Features

- 20A Current Boost
- Tracks V_o of a PT7711
- High Efficiency
- Input Voltage Range: 4.5V to 5.5V
- Synchronized with PT7711
- 27-pin SIP Package
- Solderable Copper Case
- Connect up to 2 in Parallel for 60 Amps

Standard Application



External Capacitors: The PT7745 requires a minimum output capacitance of 330 μ F for proper operation. The PT7745 also requires an input capacitance of 1500 μ F, which must be rated for a minimum of 1.4Arms of ripple current. For transient or dynamic load applications additional capacitance may be required. For further information refer to the application note regarding capacitor selection for this product.

Input Filter: An input filter inductor is optional for most applications. The inductor must be sized to handle 20ADC with a typical value of 1 μ H.

Capacitor Recommendations for the PT7711/12 Regulators and PT7744/45 Current Boosters

Input Capacitors

The recommended input capacitance is determined by 1.4 ampere minimum ripple current rating and 1500 μ F minimum capacitance. Capacitors listed below must be rated for a minimum of 2x the input voltage with +5V operation. Ripple current and $\leq 100\text{m}\Omega$ Equivalent Series Resistance (ESR) values are the major considerations along with temperature when selecting the proper capacitor.

Output Capacitors

The minimum required output capacitance is 330 μ F with a maximum ESR less than or equal to 100m Ω . Failure to observe this requirement may lead to regulator instability or oscillation. Electrolytic capacitors have poor ripple performance at frequencies greater than 400kHz, but excellent low frequency transient response. Above the ripple frequency ceramic decoupling capacitors are necessary to improve the transient response and reduce any microprocessor high frequency noise components apparent during higher current excursions. Preferred low ESR type capacitor part numbers are identified in the Table 1 below.

Tantalum Characteristics

Tantalum capacitors with a minimum 10V rating are recommended on the output bus, but only the AVX TPS Series, Sprague 594/595 Series, or Kemet T495/T510 Series. The AVX TPS Series, Sprague Series or Kemet Series capacitors are specified over other types due to their higher surge current, excellent power dissipation and ripple current ratings. As an example, the TAJ Series by AVX is not recommended. This series exhibits considerably higher ESR, reduced power dissipation and lower ripple current capability. The TAJ Series is a less reliable compared to the TPS series when determining power dissipation capability.

Capacitor Table

Table 1 identifies the characteristics of capacitors from a number of vendors with acceptable ESR and ripple current (rms) ratings. The suggested minimum quantities per regulator for both the input and output buses are identified.

This is not an extensive capacitor list. The table below is a selection guide for input and output capacitors. Other capacitor vendors are available with comparable RMS ripple current rating and ESR (Equivalent Series Resistance at 100kHz). These critical parameters are necessary to insure both optimum regulator performance and long capacitor life.

Table 1 Capacitors Characteristic Data

Capacitor Vendor/ Series	Capacitor Characteristics					Quantity		Vendor Number
	Working Voltage	Value(μ F)	(ESR) Equivalent Series Resistance	105° C Maximum Ripple Current(Irms)	Physical Size(mm)	Input Bus	Output Bus	
Panasonic FC Surface Mtg FA	16V	2200	0.038 Ω	2000mA	18x16.5	1	1	EEVFC1C222N EEVFC1V331LQ
	35V	330	0.065 Ω	1205mA	12.5x16.5			
	10V 16V	680 1800	0.090 Ω 0.032 Ω	755mA 2000mA	10x12.5 18x15	1	1	EEUFA1A681 EEUFA1C182A
United Chemi -Con LFBV Series	25V	330	0.084 Ω	825mA	10x16	1	1	LXV25VB331M10X16LL LXV16VB222M16X20LL LXV16VB471M10X16LL
	16V	2200	0.038 Ω	1630mA	16x20			
	16V	470	0.084 $\Omega/2=042\Omega$	825mA x2	10x16			
Nichicon PL Series PM Series	10V	680	0.090 Ω	770mA	10x15	1	1	UPL1A681MHH6 UPL1A182MHH6 UPL1E331MPH6
	10V	1800	0.044 Ω	1420mA	16x15			
	25V	330	0.095 Ω	750mA	10x15			
Oscon SS SV	10V	330	0.025W/4=0.006 Ω	>9800mA	10x10.5	4	N/R (Note)	10SS330M 10SV330M(Sufvace Mtg)
	10V	330	0.020/4=0.005 Ω	>9800mA	10.3x12.6			
AVX Tantalum TPS- Series	10V	330	0.100/5=20 Ω	3500mA	7.3Lx	5	1	TPSV337M010R0100 TPSV337M010R0060
	10V	330	0.060 Ω	1826mA	4.3Wx 4.1H			
Sprague Tantalum 595D/594D	10V	330	0.045W/4=0.011 Ω	>4500mA	7.3L x 5.7W x	5	1	594D337X0010R2T Surface Mount 595D687X0010R2T
	10V	680	0.090 Ω	>1660mA	4.0H			
Kemet Tantalum T510/T495 Series	10V	330	0.035 Ω	2000mA	4.3Wx7.3L x4.0H	5	1	510X337M010AS
	10V	220	0.070 $\Omega/2=0.035\Omega$	>2000mA				
Sanyo Poscap TPB	10V	220	0.040 Ω	3000mA	7.2L x 4.3W x 3.1H	6	2	10TPB220M Surface Mount

Note: (N/R) is not recommended for this application, due to extremely low Equivalent Series Resistance (ESR)